



Specifications Text for the «DPH5» pedestal, 100 to 170 mm

Screwjack pedestal composed of 5 parts, continuously adjustable from 100 to 170 mm with a slope corrector for 0 to 5% integrated on the pedestal head and a height adjuster (coupler) with inner and outer threads composed of 1 part, all in talc-loaded polypropylene copolymer, polyester fibre-glass or Polycarbonate Fiberglass and which can bear loads of more than 1,000 kg/pedestal. By adding height adjusters (couplers), the DPH5 can be adjusted up to **700 mm**.

Technical characteristics:

1) The pedestal is made up of 5 parts. It is adjustable from 100 to 170 mm

Supporting head + slope corrector + plate with slab separation blades + clamp for adjustment up/down + stand (supporting base).

a) Slab supporting head: the screw-on head has a safety clip for maximum unscrewing.

Large support surface of 190 cm² (diameter 155 mm) of thickness 4 mm and reinforced with several reinforcement veins.

Provision of a safety blocking clip for maximum unscrewing to 170 mm.

10 mm hole in the centre of the head in order to receive the slab separation bladed plate and/or a rawplug and fixing screw for mechanical attachments.

The load bearing surface is angled between 0 and 5% with the values for the slope to be offset indicated, i.e. 0- 0.5-1-1.5-2-2.5-3-3.5-4-4.5-5-5.5 cm/m and the slope corrector part (0 to 5 cm/m) is affixed onto it.

The head is screwed into the clamp for adjustment up/down.

b) Slope corrector for 0 to 5 cm/m: (diameter: 170 mm)

Cylindrical part affixed to the pedestal head using 3 fixing clips and which is factory assembled. The system is set by rotating the slope corrector through 360° to the left or right using an oval reading window indicating the value of the slope to be offset. A pin holds the chosen value in place. Next, the whole pedestal is positioned in the direction of the slope to be corrected with the aid of an indicator arrow printed onto the plate of the corrector with the value of the slope to be corrected (from 0 to 5 cm/m, same value as supporting head). The pedestal will then be horizontal in all directions with respect to the slope to be offset. The head with slab separation blades, which is free in the centre of the pedestal head, is positioned by rotating it in the direction of the slabs chosen by the architect.

c) Slabs separation blades: (diameter: 8 mm)

Cylindrical plate with 4 slabs positioning blades in order to obtain an open joint of 4.5 – 6 or 10 mm thickness. The plate is clipped onto the surface of the supporting head and is free to turn through 360°. There is an 8 mm hole in the centre of the blades plate which allows a rawplug and fixing screw to be used to fix the 4 slabs onto the pedestal head if necessary.

A plate with a 2 mm separator is available and which was designed to hold slabs without any apparent joint between the slabs. The blades plate can also be positioned on the back of the supporting base. At wall edges, the two pre-cut blades are broken to allow the two slabs to be laid. In wall corners, the blades plate can be unclipped using a small screwdriver and the corner of the slab rests entirely on the pedestal head.

d) Stand (supporting base): cylindrical part with rounded edge to avoid damage to the supporting surface.

This part has 3 inner threads to screw in the clamp for adjustment up/down.



The stand: supporting base of surface 315 cm² (diameter 20 cm) to avoid punching of the supporting surface. Thickness 3 mm to ensure stability. The stand has a 125 mm diameter cylinder as well as 8 reinforcement veins of 5 mm thickness for stability and load distribution. The stand also has 2 water weep holes to allow any chemical products or other liquids to run freely. The stand also has 2 x 4 holes of diameters 4 and 8 mm and thickness 8 mm for possible attachment of the stand to a concrete, wood or steel supporting surface. These 8 holes are aligned with the 8 reinforcement veins to ensure stability.

By turning the stand through 360° it is possible to place the slabs separation blades plate on top to obtain a greater slab bearing surface. The direction and value of any slopes to be offset are then indicated on the back of the pedestal head plate.

e) Clamp for adjustment up/down: (diameter: 115 mm)

Inverted thread part with 3 inner threads and several outer threads (8 threads) is screwed in the factory onto the pedestal stand. The pedestal head is screwed into the inner thread of the adjustment clamp. The pedestal head has a safety clip for maximum unscrewing to 170 mm. There is a hole in the upper part of the adjustment coupler to allow insertion of the pointed end of a nail on order to unblock the safety clip and therefore allow a height adjuster to be screwed on for any adjustments greater than 170 mm.

The clamp, adjusted to 140 mm using a point A which is indicated on the clamp and a point B which is indicated on the pedestal head, travels through 35 mm for up/down adjustment.

The adjustment coupler also has a key plate to allow fine adjustment of the pedestal once the four slabs have been laid.

2) Height adjuster (coupler): adjustable by 120 mm

The height adjuster has 2 cylinders and an unscrewing safety clip:

The inner thread cylinder of diameter 105 mm has 4 vertical veins on its outer side for reinforcement. The pedestal head is attached to this part of the cylinder. The pedestal head is screwed into the coupler using a minimum of 3 threads and the head is held in place inside the coupler using a safety system which blocks against unscrewing.

A 3 mm thick plate is situated in the centre of the inner cylinder with reinforcement bars to guarantee the stability of the part. This plate has 8 water weep holes to allow water or chemical products to flow freely. The outer screw cylinder (diameter 102 mm) is screwed into the adjustment coupler. Here, again, a minimum of 3 threads must be used for tightening. The height adjuster has a safety clip that blocks for maximum unscrewing. There is a hole in the upper part of the coupler to allow insertion of the pointed end of a nail on order to unblock the safety clip and therefore allow the pedestal head to be unscrewed in order to add one or several additional height adjusters.

Adjustment of 170 to 290 mm is obtained using one height adjuster. 2 height adjusters give 240 to 400 mm, 3 give 320 to 520 mm and 4 give 390 to 600 mm.

3) All of the screw parts are solidly attached to each other.

This means that if the pedestal base is fixed or screwed into the ground surface and the floor is then attached to the pedestal head, the floor is solidly attached to the ground surface.

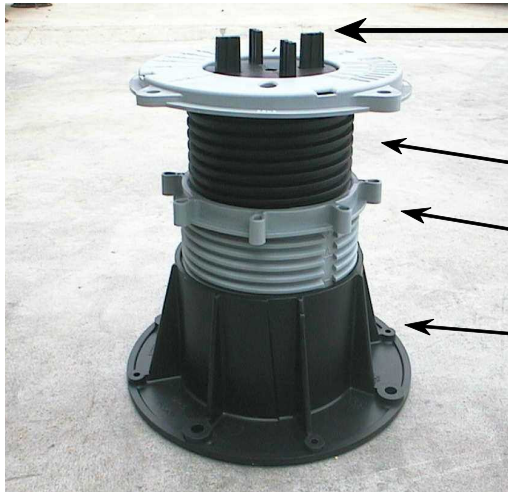
An access slope of 1 to 5% can also be created using the slope corrector.

4) Resistance:

Resistant to ageing, bad weather, ultraviolet light, chemical products. This product is rotproof and can be recycled.



5) The «DPH5» is covered by a PATENT PENDING.



Platform blades

Slope corrector

Top

Clamp for adjustment

Bottom